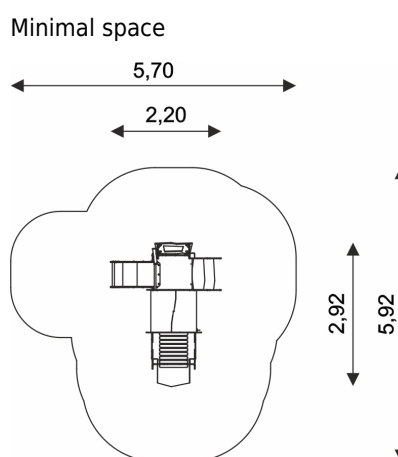


WOODEN WD1551

PLAYGROUND EQUIPMENT



Device Specifications	
Safety zone	24,9 m ²
Length	2,92 m
Width	2,20 m
Total height	2,14 m
Free fall height	<0,60 m
Age range	1-8 years
In accordance w/ EN standards	1176-1:2017
Weight of the heaviest part [kg]	23
Dimension of the biggest part [cm]	210x9x9
Availability of spare parts	Yes



Material Specification

- 90x90 mm main construction made of impregnated, laminated wood of pine;
- Metal anchors are made of hot dip galvanized steel, protecting the wood from direct contact with the ground to prevent rot and extending the product's life;
- Platform and stairs are made of anti-slip and waterproof plywood or HPL plate;
- Panels and roof are made of atmospheric condition resistant HDPE or HPL plates;
- Stainless steel screws or screws covered with plastic caps;
- No sharp edges or chinks that would pose a danger of jamming the head, fingers or any other body parts;
- Bars are made of stainless steel;
- Stainless steel slide with HDPE or HPL side panels;

Additional comments

- The equipment is certified by an accrediting organization or by certificate of conformity;
- Depth of foundations on a flat surface: 80/70/60 cm;
- The equipment is designed for public playgrounds;The equipment render is of an illustrative nature and shows only the general specification of the equipment, but not its actual appearance. The colours may differ from those demonstrated on render.
- Slides should not be installed southwards;

Surfaces

Due to the free fall height of the equipment, the EN 1176-1:2017 standard allows the following surfaces: turf/soil (A,B,C), sand with minimal layer thickness of 30 cm (A,C), synthetic material approved for free fall of 0,90 m (A,B,C)

