

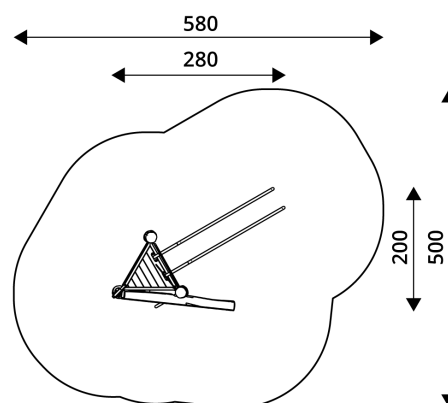
ROBINIA RB1236

PLAYGROUND EQUIPMENT



Device Specifications	
Safety zone	21,8 m ²
Lenght	280 cm
Width	200 cm
Total height	500 cm
Free fall height	150 cm
Age area	3-14 years
In accordance with EN standard	1176-1:2017
Weight of the heaviest part [kg]	115 kg
Dimension of the biggest part [cm]	500x18x18
Availability of spare parts	Yes

Minimal space



MATERIAL SPECIFICATION

- Construction made of Robinia - very durable acacia wood with a diameter of ~ 18 cm without sharp edges, resistant to weather conditions,
- Platforms and side panels and seats made of Robinia - very durable acacia wood, resistant to weather conditions,
- Sail i flag made of durable, waterproof HPL plate,
- Telescope made of stainless steel and HDPE plate, resistant to weather conditions,
- Ladder made of steel ropes in PP braid and rungs made of synthetic material
- Stainless steel handrails,
- Fireman's pole and tubular sled made of stainless steel,
- Steel ropes in PP braid, connected with durable aluminum, stainless steel and/or plastic elements,
- Calibrated stainless steel chains, preventing fingers entrapment,
- Stainless steel and/or galvanized steel screws,
- Screws covered with plastic caps or stainless steel screws.

ADDITIONAL COMMENTS

- equipment intended for public playgrounds,
- equipment has a certificate issued by an accredited entity or a declaration of conformity,
- no sharp edges or chinks that would pose a danger of jimming the head, fingers or any other body parts,
- anchoring on flat surface, 100 cm deep,
- render is for reference only, the actual appearance of the equipment and its color may vary.

SURFACES

Due to the free fall height of the equipment, the EN 1176-1:2017 standard allows the following surfaces: turf/ soil (A,B,C), sand with minimal layer thickness of 30 cm (A,C), synthetic material approved for free fall of 1,50 m.

